

Fig. 2

3/20

415 KNOWLEDGE ENGINEER

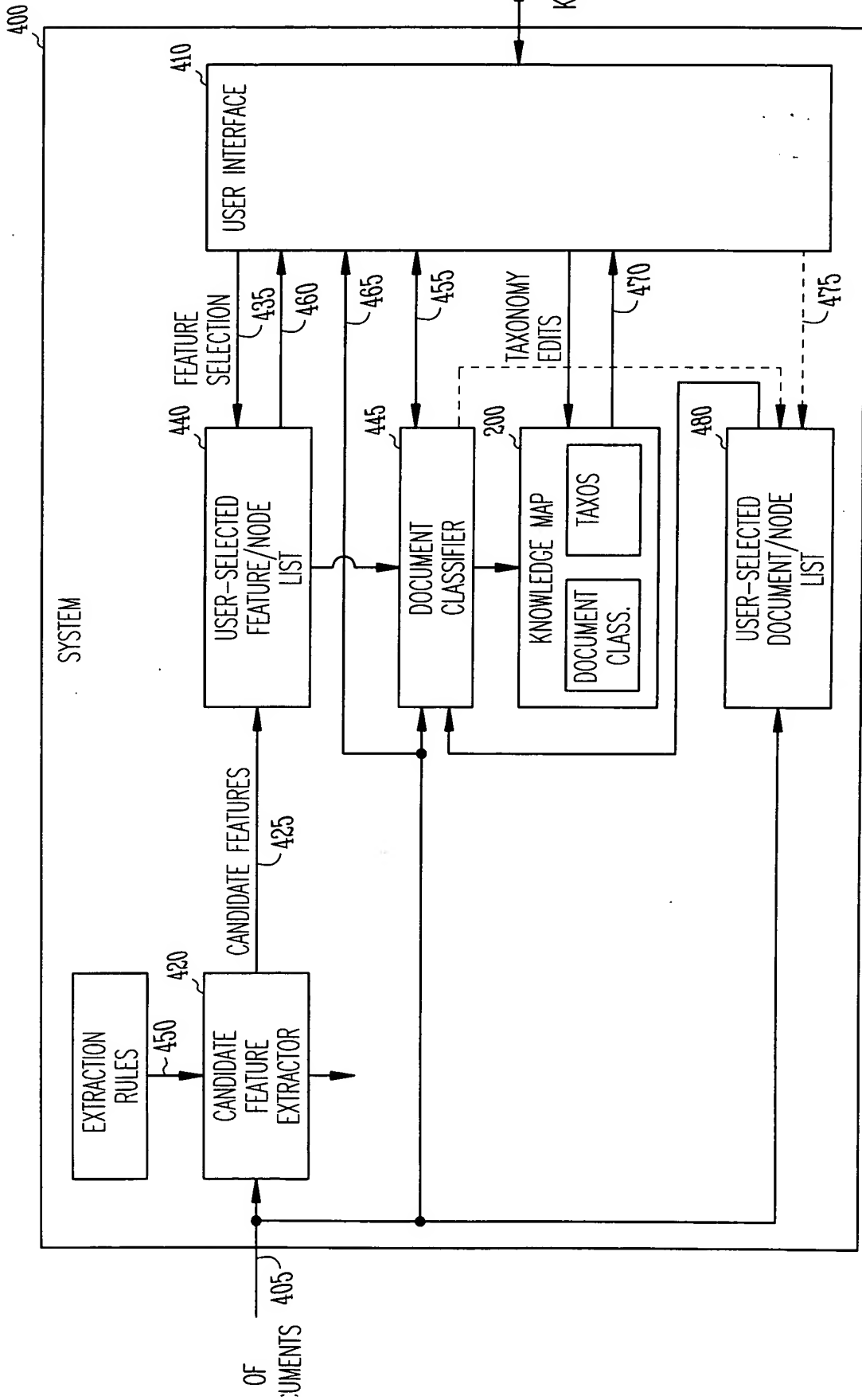


Fig. 4